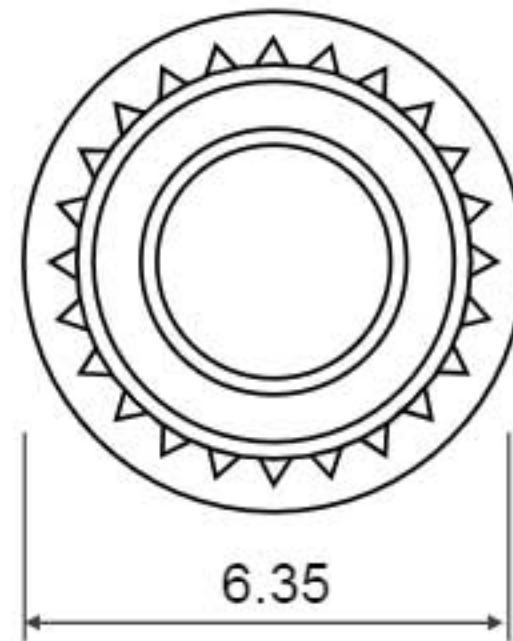
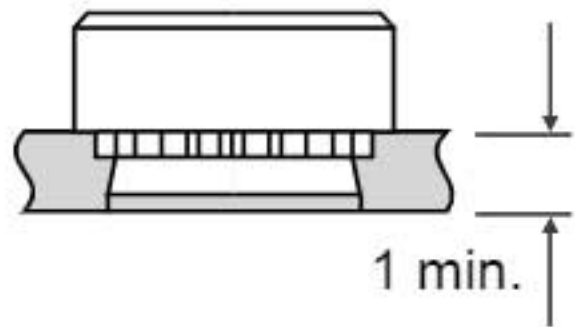
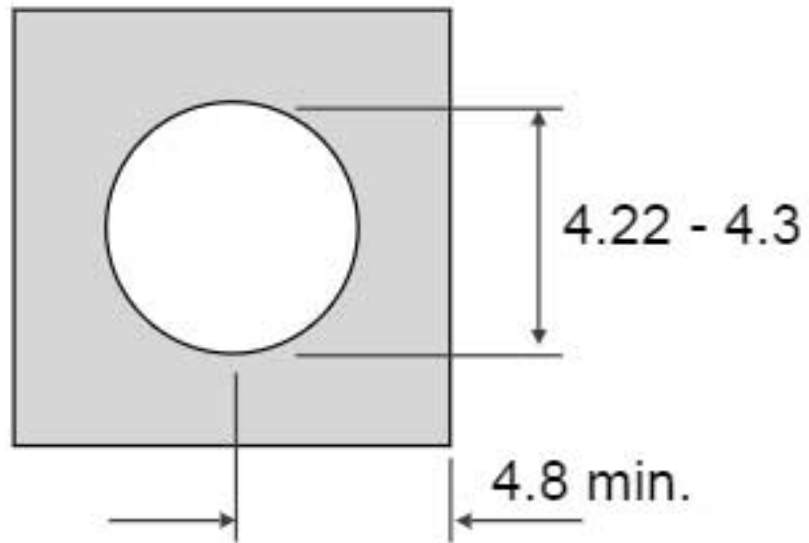


# M3 x -1 Self Clinch Nut

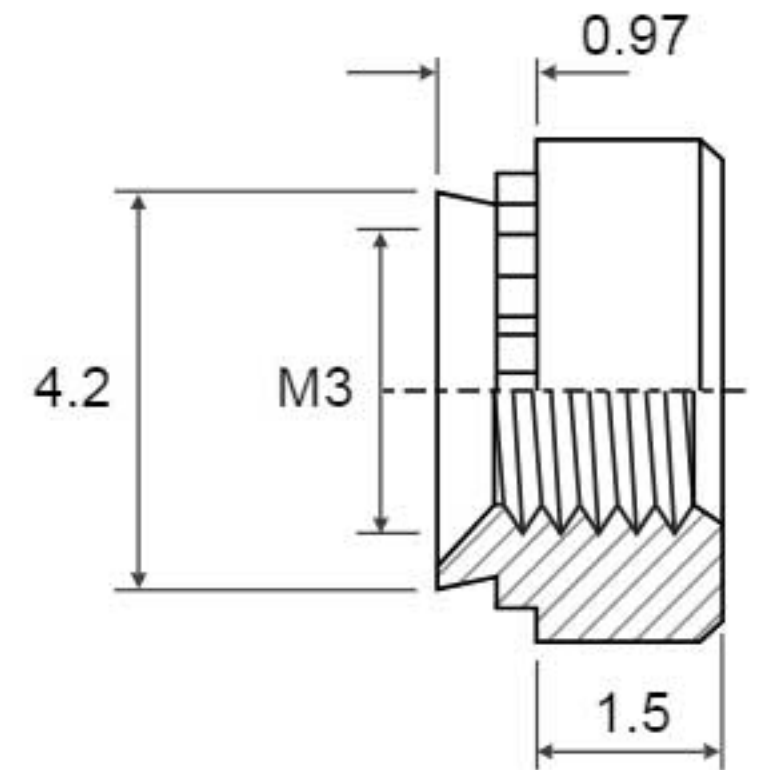


Laboratory tests in steel sheet

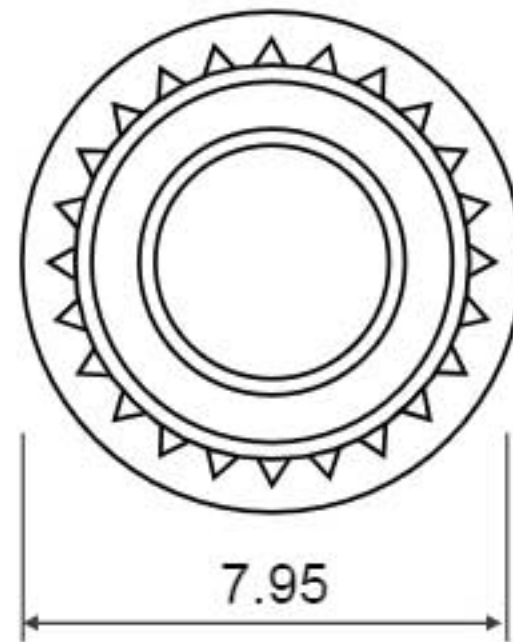
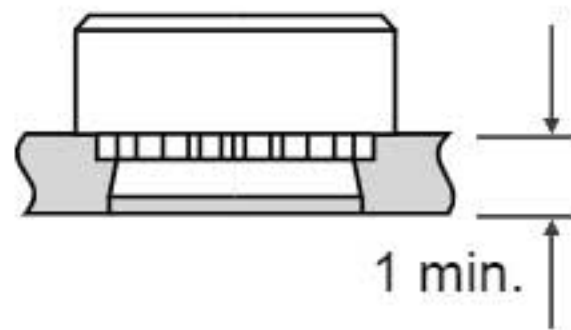
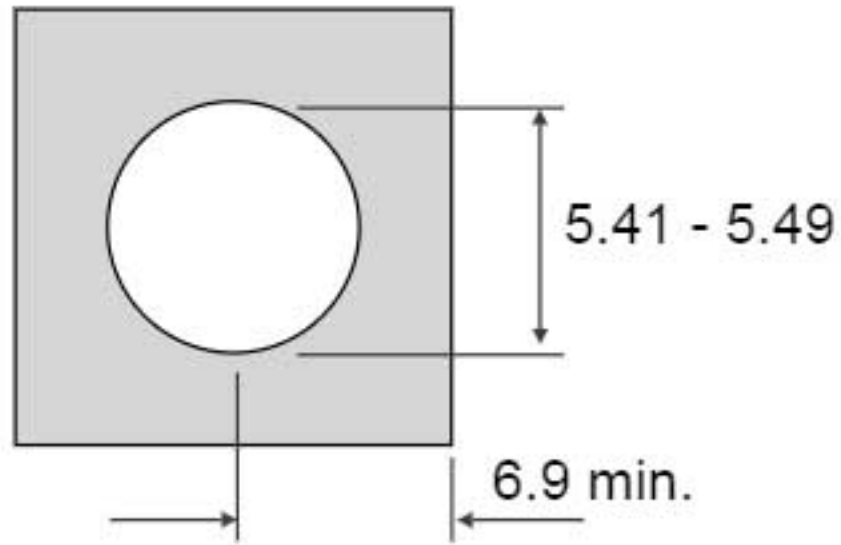
Installation: 11.2 - 15.6 kN

Torque out: 1.75 Nm

Pushout: 560 N



# M4 x -1 Self Clinch Nut

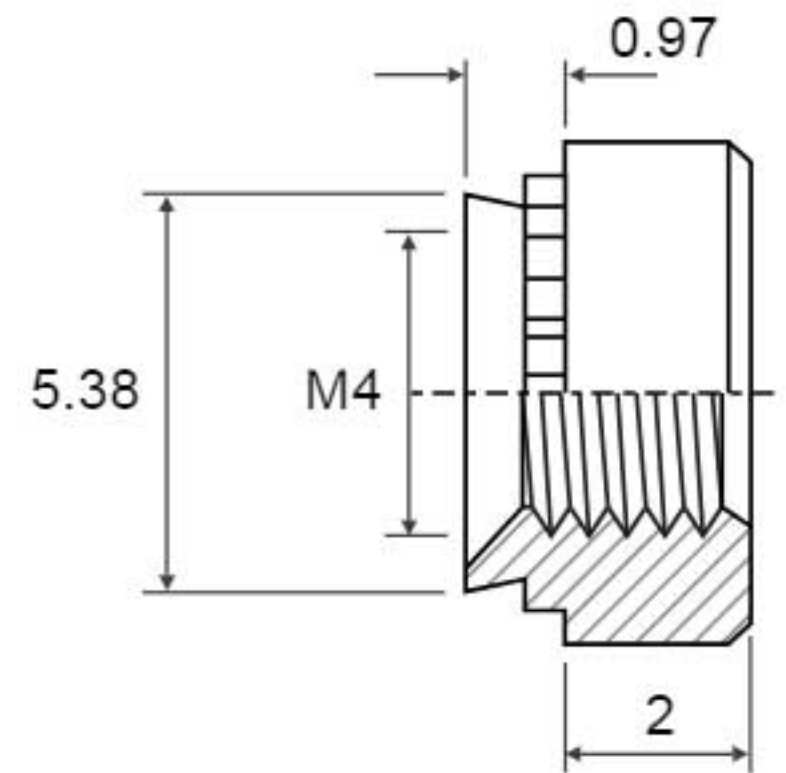


Laboratory tests in steel sheet

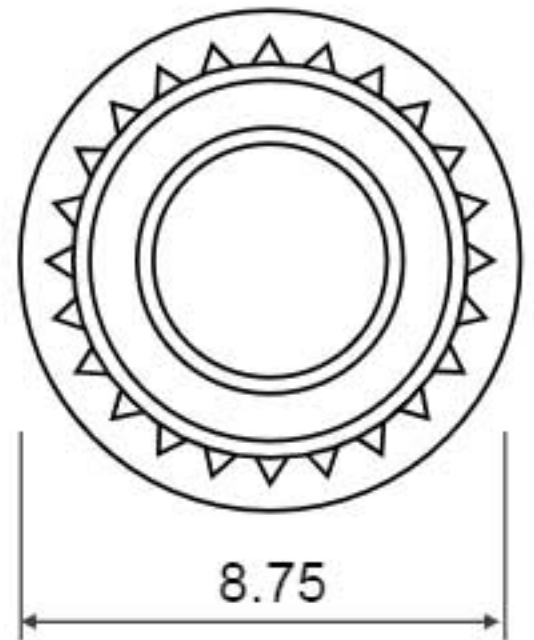
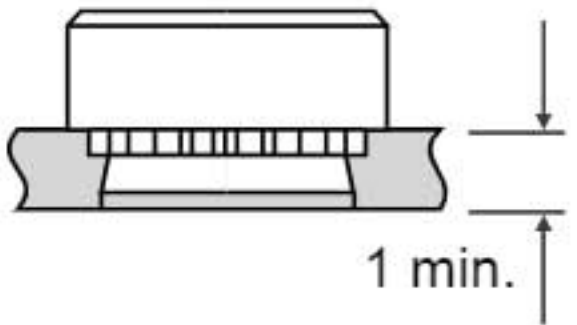
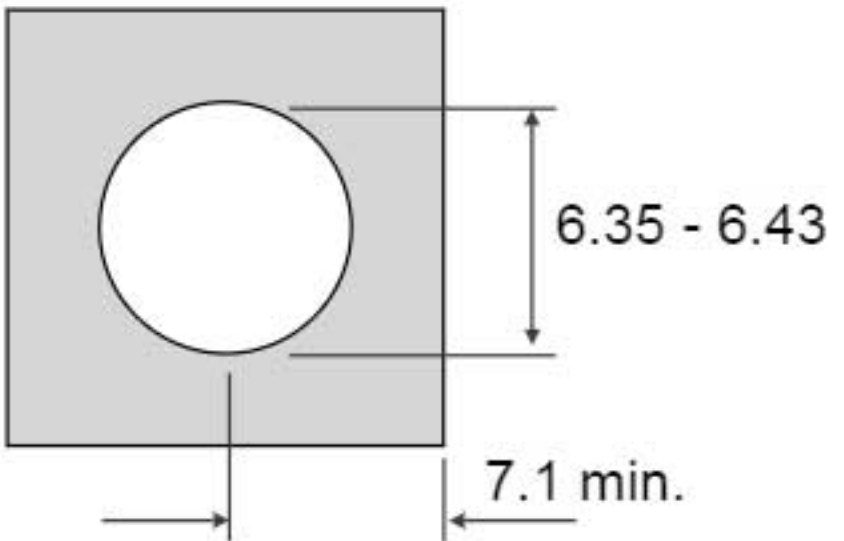
Installation: 18 - 27 kN

Torque out: 4 Nm

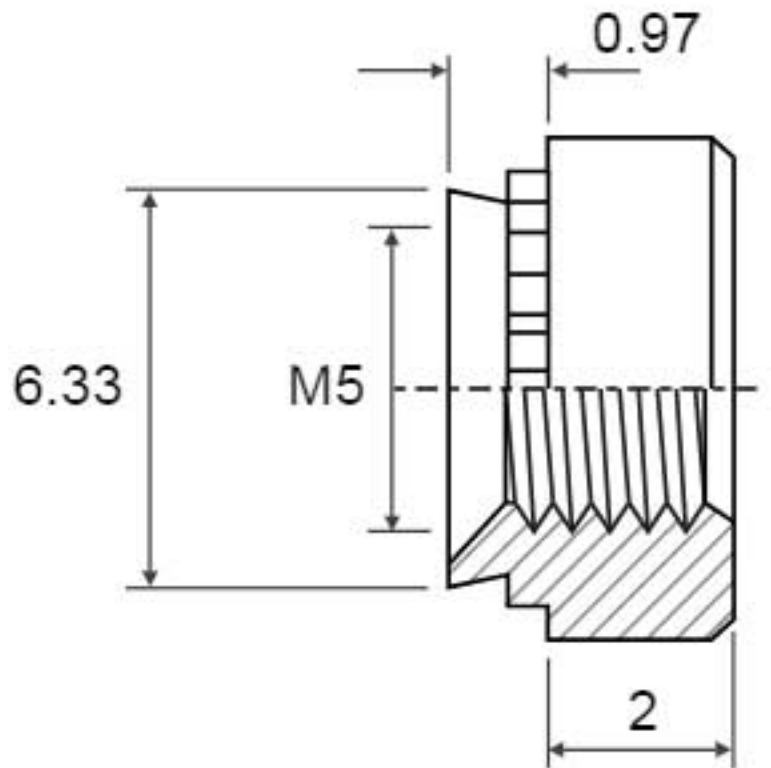
Pushout: 650 N



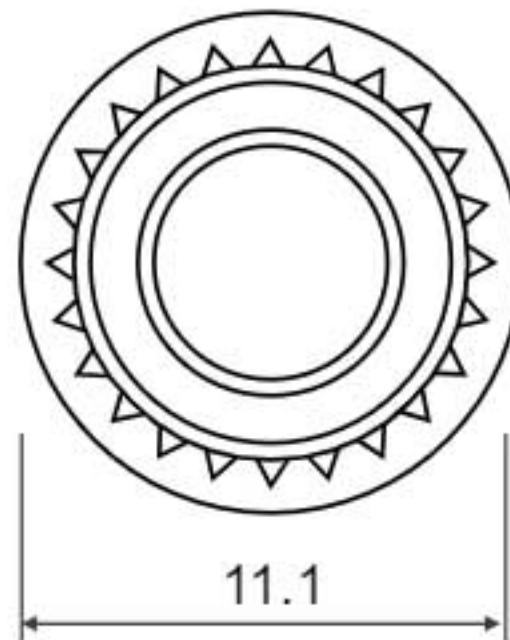
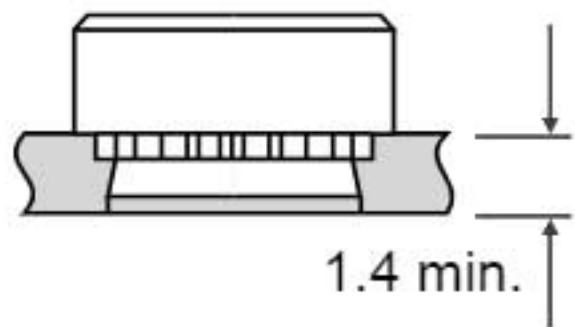
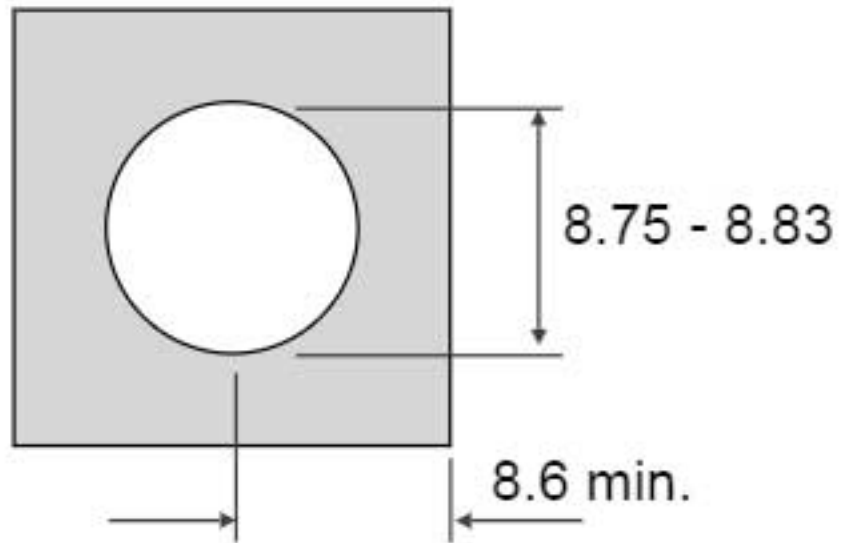
# M5 x -1 Self Clinch Nut



Laboratory tests in steel sheet  
Installation: 18 - 38 kN  
Torque out: 4.5 Nm  
Pushout: 800 N



# M6 x -1 Self Clinch Nut

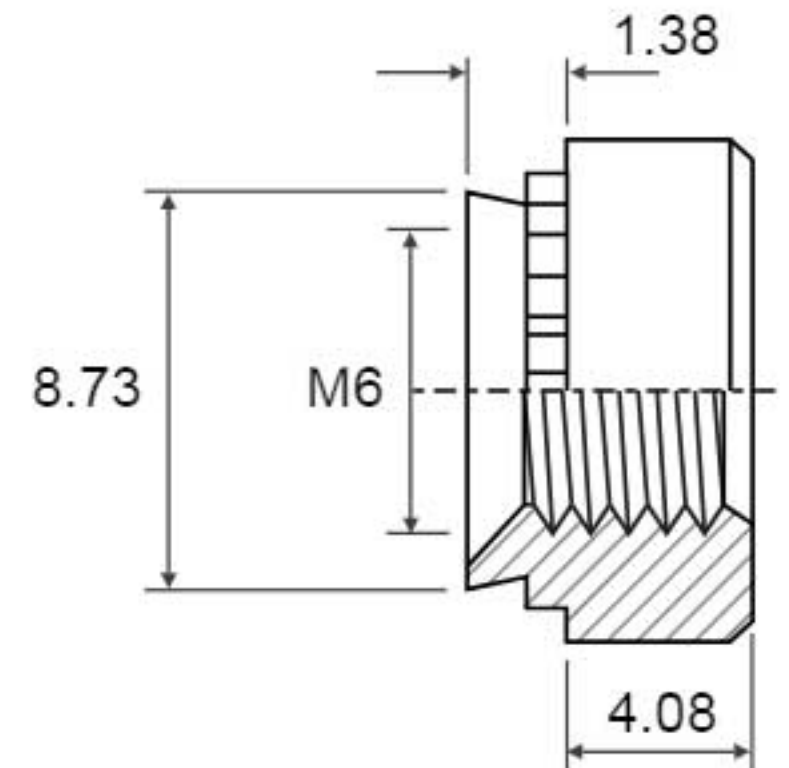


Laboratory tests in steel sheet

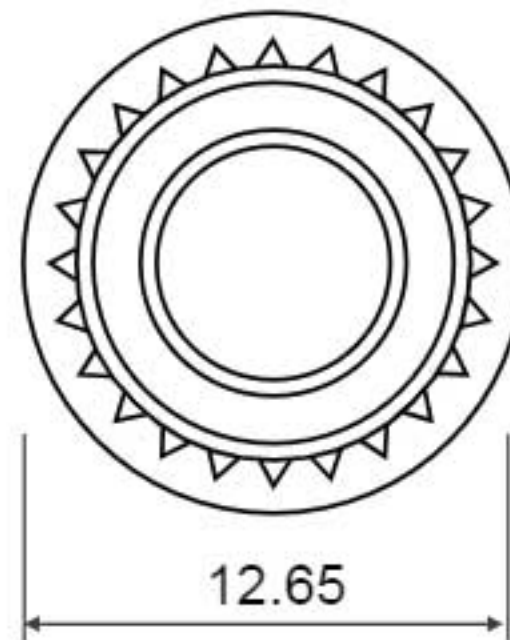
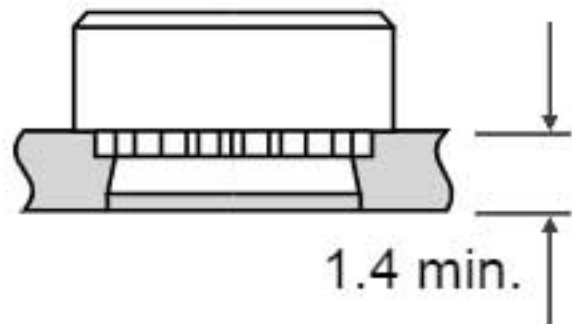
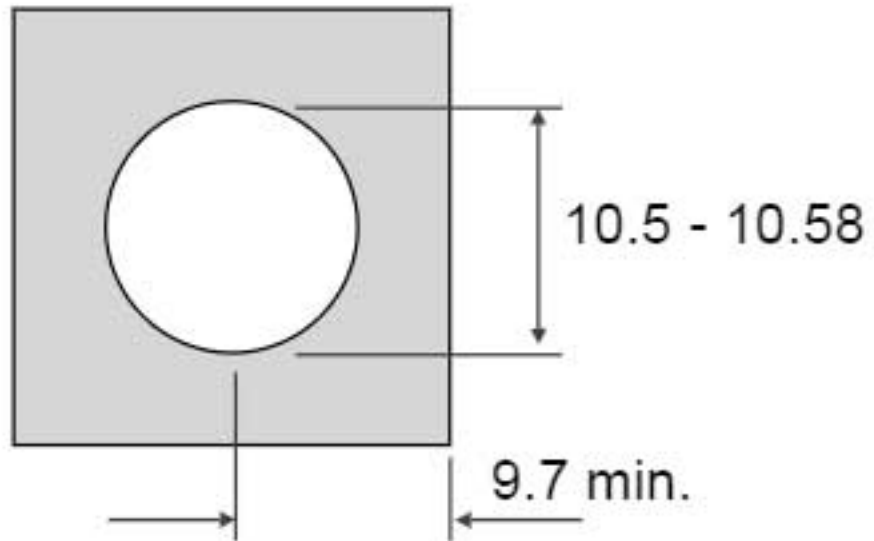
Installation: 27 - 36 kN

Torque out: 17.1 Nm

Pushout: 1765 N



# M8 x -1 Self Clinch Nut

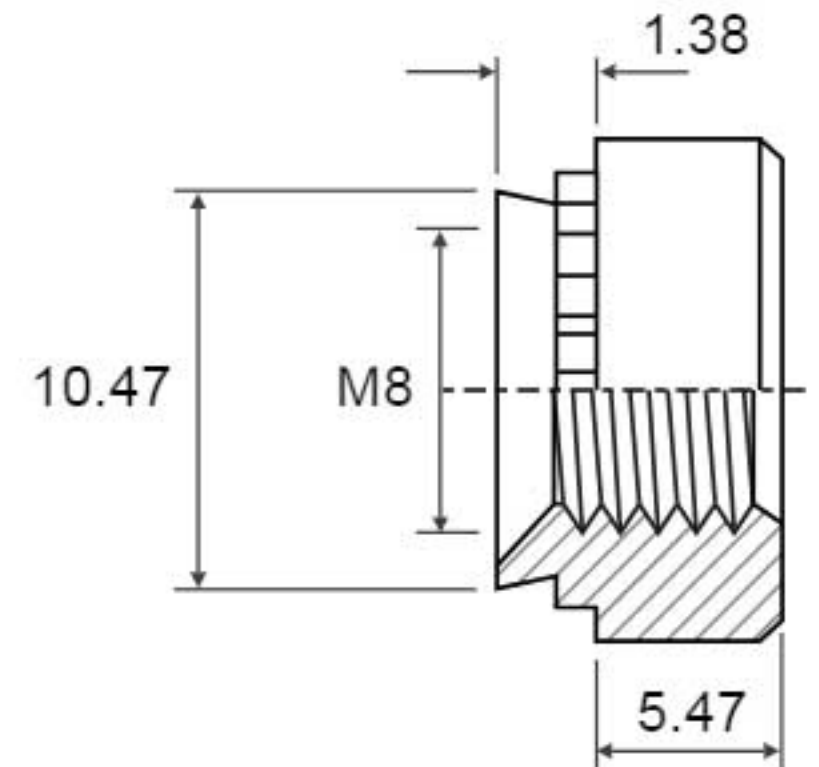


Laboratory tests in steel sheet

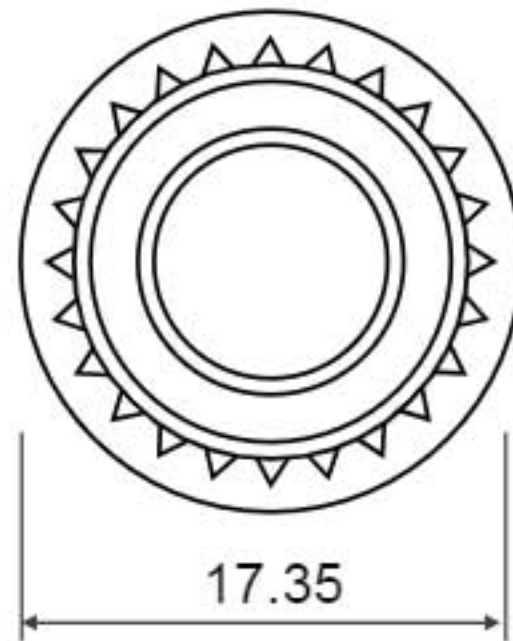
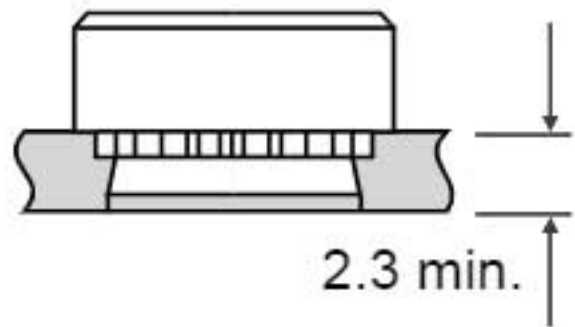
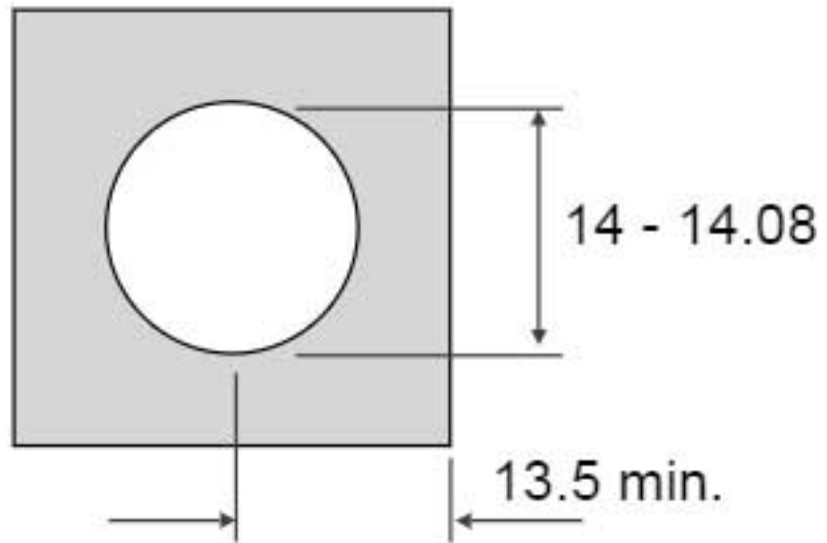
Installation: 27 - 36 kN

Torque out: 18.8 Nm

Pushout: 1870 N



# M10 x -1 Self Clinch Nut



Laboratory tests in steel sheet

Installation: 32 - 50 kN

Torque out: 36.1 Nm

Pushout: 2021 N

